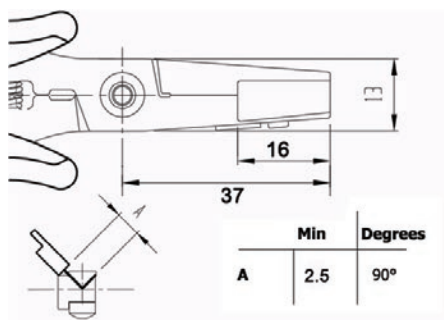


Forming pliers

158 mm



SPECIFICATION:

Variants

ESD

Cross-section of jaws

Special shape/TO-220/TO-247

Length

158 mm

Art. Nr.

RND 550-00075